

Resistance ON-OFF rod sensor, general purpose ON-OFF rod sensor for conductor's liquids, IP65 protection.

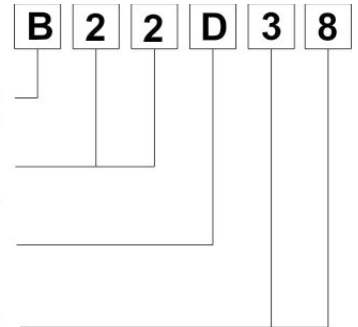
ORDER CODE (Example) RL6

Version
PC polycarbonate loaded

Process connection
Sanitary DN40 DIN11851 AISI 404L

Electrode number
3 electrode

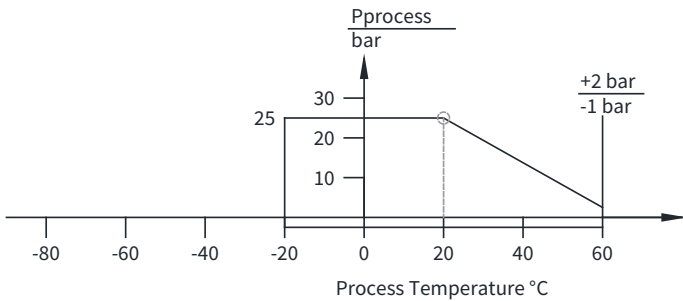
Electrode type and insulation
Ø5 AISI316L electrode, PTFE insulated



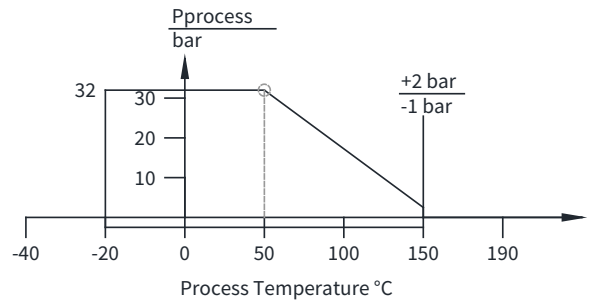
Version	PROCESS CONNECTION		Cod.: RL6 <input type="checkbox"/> <input type="checkbox"/> <input type="checkbox"/> <input type="checkbox"/> <input type="checkbox"/> <input type="checkbox"/>																				
Code: RL6 <input type="checkbox"/> <input type="checkbox"/> <input type="checkbox"/> <input type="checkbox"/> <input type="checkbox"/> <input type="checkbox"/>	THREADED	THREADED	SANITARY FITTING																				
<p>PC polycarbonate loaded</p> <p>B</p> <p>DIN B aluminium varnished</p> <p>E</p> <p>DIN A Alluminium varnished</p> <p>G</p> <p>Special</p> <p>Z</p>	<p>0 2 G 1" AISI316 0 4 1" NPT AISI316 0 5 G 1" PVC</p>	<p>8 4 G 1/2" AISI316 8 5 1/2" NPT AISI316</p> <p>ONLY WITH SINGOL ELECTRODE AND DIN B HEAD CONNECTION</p>	<p>CLAMP "3A" CONFORM</p> <p>7 1 DN25 (1") AISI316L 7 3 DN38 (1 1/2") AISI316L 7 5 DN51 (2") AISI316L</p> <table border="1"> <thead> <tr> <th>DN</th> <th>A</th> <th>E</th> </tr> </thead> <tbody> <tr> <td>25 (1")</td> <td>50.5</td> <td>49</td> </tr> <tr> <td>38 (1 1/2")</td> <td>50.5</td> <td>49</td> </tr> <tr> <td>51 (2")</td> <td>64</td> <td>49</td> </tr> </tbody> </table>	DN	A	E	25 (1")	50.5	49	38 (1 1/2")	50.5	49	51 (2")	64	49								
DN	A	E																					
25 (1")	50.5	49																					
38 (1 1/2")	50.5	49																					
51 (2")	64	49																					
	<p>1 2 G 1 1/2" AISI316 1 8 G 1 1/2" PVC</p>	<p>9 2 G 3/4" AISI 316 9 3 3/4" NPT AISI316</p> <p>ONLY WITH DIN B HEAD CONNECTION 93/92 ONLY N.1 Ø10 ELECTRODE 94 ONLY N.2 Ø8 ELECTRODE</p>	<p>ACCESSORIES extra -codice</p> <p>DIN 11851</p> <p>2 0 NW25 AISI304L 2 1 NW40 AISI304L 2 2 NW50 AISI304L</p> <table border="1"> <thead> <tr> <th>NW</th> <th>B</th> <th>C</th> <th>A</th> <th>E</th> </tr> </thead> <tbody> <tr> <td>25</td> <td>21</td> <td>52-6</td> <td>44</td> <td>35</td> </tr> <tr> <td>40</td> <td>21</td> <td>65-6</td> <td>56</td> <td>35</td> </tr> <tr> <td>50</td> <td>22</td> <td>78-6</td> <td>68</td> <td>35</td> </tr> </tbody> </table>	NW	B	C	A	E	25	21	52-6	44	35	40	21	65-6	56	35	50	22	78-6	68	35
NW	B	C	A	E																			
25	21	52-6	44	35																			
40	21	65-6	56	35																			
50	22	78-6	68	35																			

RL6

Electrode number	Electrode Ø and insulation type
Cod.: RL6 <input type="checkbox"/> <input type="checkbox"/> <input type="checkbox"/> <input type="checkbox"/> <input type="checkbox"/> <input type="checkbox"/>	Cod.: RL6 <input type="checkbox"/> <input type="checkbox"/> <input type="checkbox"/> <input type="checkbox"/> <input type="checkbox"/> <input type="checkbox"/>
B 1 C 2, only with Ø3+5 D 3, only with Ø3+5 E 4, only with Ø3+5 and 1 1/2" or CLAMP connection F 5, only with Ø3+5 and 1 1/2" o CLAMP connection Z Special	3 6 Ø5 AISI316 3 7 Ø5 AISI316 PVC insulated 3 8 Ø5 AISI316 PTFE insulated 4 0 Ø10 AISI316 only for single electrode 4 1 Ø10 AISI316 PVC insulated, only fo single electroder 4 4 Ø10 AISI316 PTFE insulated, only for single electrode 9 9 Special

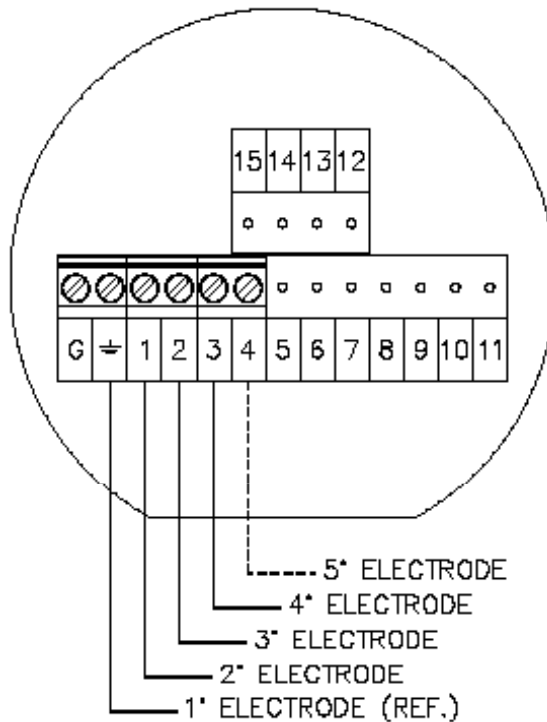


PVC Insulated



PTFE Insulated

Electrical Connections



SGM-LEKTRA S.r.l. Via Papa Giovanni XXIII, 49 - 20053 Rodano (MI) - ITALY-
 tel: ++39 0295328257 fax: ++39 0295328321
 web: www.sgm-lektra.com e-mail: info@sgm-lektra.com